

# HEALTHCARE

SEGMENT BROCHURE



© Copyright HKS Inc

# MONDO RUBBER FLOORING

Rubber is able to express an emotion, transmit a taste for beauty and tell a story of excellence and enthusiasm. We seek practical and high-performance solutions characterized by an appearance that is able to interpret a contemporary vision of space. High durability, increased comfort, reduced noise and improved safety. You can expect your Mondo contract rubber flooring to enhance any space you desire.



## **MONDO PREMIUM RUBBER FLOORING HELPS DESIGN A SUCCESSFUL HEALING ENVIRONMENT.**

The natural elasticity of virgin rubber provides unparalleled comfort and acoustics while offering outstanding wear resistance. Our floors do not require coatings which further reduces maintenance and overall life cycle costs. They are also environmentally friendly from harvesting through to production.

### **HISTORY OF MONDO**

### **RESEARCH & DEVELOPMENT**

### **DUAL DUROMETER**

### **UNDERFOOT COMFORT**

### **ACOUSTICS**

### **SAFETY**

### **DURABILITY**

### **SUSTAINABILITY**

### **MONDOSHIELD & MAINTENANCE**

### **WARRANTY & COSTS**

### **CERTIFICATION**

### **PROJECTS**

### **REFERENCES**



# MONDO: A HISTORY OF RUBBER

## DECADES OF PERFORMANCE IN THE USA, CANADA AND BEYOND

Mondo has been a family-owned company since its beginnings in Gallo D'Alba, Italy, in 1948. Two entrepreneurial brothers, both barely out of their teens, Elio and Feruccio Stroppiana started working in the basement of the family home, enamored with the prospect of building their own business and armed with the fascination of using rubber as their primary raw materials.

Their first creation was a Pallone Elastico, a sports ball made for a game played in the courtyards of the local villages. Their interests soon focused on larger initiatives, namely the creation of the first rubber flooring production line in 1955. Their commitment to excellence, their determination and leadership inspired generations of employees to build a company that has evolved into a diverse and adaptive multi-national entity.

*“A family-owned business since its founding in 1948, Mondo sells its products all over the world through Mondo-owned manufacturing companies in Italy, Luxembourg and Spain.”*

## A HISTORY OF EXCELLENCE

Mondo's global success has been built upon our investment in research and development, from the raw materials to our final products and including the equipment and processes that are necessary to meet the changing needs and expectations of our customers. Mondo acquired Artigo, a division of Pirelli, in 1992. Pirelli's advanced technology and design concepts coupled with Mondo's skills and experience made a formidable union. Artigo is the purveyor of the Mondo brand outside of North America.





# TECHNOLOGY & INNOVATION

## SPORT TECHNOLOGY FOR CONTRACT FLOORING

Following its purchase from Pirelli, Artigo collaborated with the Mondo Sport Research and Development team to incorporate Dual Durometer technology into contract products. The combination resulted in enhanced performance characteristics through our Dual Durometer construction. Our line of products display innovative designs and technical features that are essential to the rigors and demanding requirements of healthcare facilities. We go beyond simply altering maintenance protocols, thickness of coating or scratch resistance, to create something unique.

Mondo is the global leader in the rubber flooring market, engineering quality surfaces to meet the highest standards in the industry. We manufacture rubber flooring that is durable, easy to maintain, hygienic, and environmentally responsible.

*Mondo's current line of contract products is the direct result of research and development performed and perfected by our Sports Division. Mondo is the sole supplier of the 2020 Tokyo Olympic and Paralympic Games in athletic equipment and athletic track.*

## PERFORMANCE THROUGH INNOVATION

Mondo developed its Dual Durometer Technology through the collaboration of internal and external resources, including that of the Human Performance Lab at the University of Calgary. This innovation redefined the interaction between elite athletes and the surface on which they are competing with the ultimate goal being finding the perfect balance between comfort and performance. Mondo's track surfaces have now been the choice of the Summer Olympic Committee for the past 12 Olympic Games and have gathered over 260 world-records. Athletes of the highest levels train on Mondo track surfaces.

Wayne Memorial Hospital. © J. W. Filipski of Guy Carl Associates, Inc.





# FEATURES FOR HOSPITAL

## MONDO CONTRACT FLOORING - FOR EACH AREA

- Entrance and Hallways
- Patient Rooms
- Operating Rooms
- Administrative Offices
- Laboratories
- Nurse's Station

Whether you are in the market for sustainable materials to upgrade individual rooms in busy healthcare areas or you are responsible for vetting best in class floor coverings for new healthcare projects, Mondo contract flooring offers a wide array of premium health system flooring solutions.

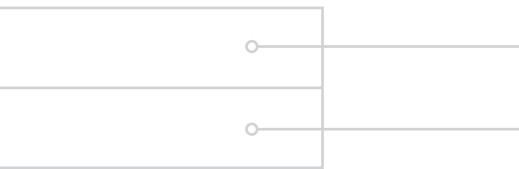
As the world's leading premium rubber manufacturer, Mondo has been innovating with vulcanized rubber for over 70 years. We have cultivated our delivery model around helping clients exceed project objectives within the established timelines and budgets. We work directly with healthcare project teams and stakeholders to ensure complete satisfaction of the end user.



# DUAL DUROMETER

## MONDO FLOORING - POWERED BY DUAL DUROMETER TECHNOLOGY

We engineered our unique Dual Durometer premium rubber flooring system based on market demands within the healthcare environment. Through the vulcanization process, Mondo is able to molecularly bond two layers of virgin rubber under strict guidelines from ISO 9001-14001 manufacturing protocols. Each of the two layers is designed to perform specific functions to create a high-performance floor and long-term asset.



*The top surface is our homogeneous performance layer with its own set of design, safety and durability properties, including excellent slip resistance in wet and dry conditions.*

*The bottom layer contains sustainability and performance characteristics that allow for comfort underfoot, sound absorption and high rolling and static load resistance.*

MONDO DUAL DUROMETER	COMPETITOR
1.0 mm minimum performance layer.	0.2 to 0.3 mm decorative wear layer.
Maintains malleable physical properties over life span allowing for integral coving.	More difficult for integral coving and may need more expensive prefabricated cove which increases seams and cost.
Can use recycled content inside of bottom layer without changing durability of the product.	Not able to use recycled content unless entire product uses recycle materials, which may reduce performance.
Does not require waxes or sealers.	May require waxes or sealers or use of invasive and expensive diamond grit pads.
6' Sheet goods reduce seams and incidence of Infection control issues.	4' Sheet goods can increase incidence of seams by 20%, reduce overall aesthetics and reduces infection control.
15-year wear warranty. Engages after 0.0375 inch of loss.	15-year wear warranty. Engages after 0.575 inch loss.







Pokering Dialysis Clinic. © Design by IBI Group | Photograph by Ben Rahn / A-Frame





# UNDERFOOT COMFORT

## **BENEFITS - FOR HEALTHCARE WORKERS AND FOR PATIENTS**

The proprietary technology of our Mondo Contract Flooring line elevates our product's performance. Our Italian rubber engineers incorporated the best elements of our Olympic class sport surfaces into a versatile healthcare flooring solution. As a result, our flooring improves comfort underfoot for medical staff while maintaining an excellent resistance to static and rolling loads. The anti-fatigue property of our flooring further helps to make healthcare workers more comfortable during their long shifts by reducing leg and back pain from standing on hard surfaces.

### **NURSES**

As an example, nurses are famously busy and constantly on the move. A lower impact from their footsteps will create an exponentially more comfortable work space for them. An environment where they are comfortable and able to focus on patient care will improve both staff moral and care quality. Since the National Center for Workforce Analysis estimates that by 2020 more than 800,000 RN positions will go unfilled nationwide, it is crucial to make their work environment more comfortable.

### **LABS**

Laboratory personnel are another example where flooring will have an impact on working conditions and satisfaction. As researchers seek cures and innovations in healthcare, they tend to work in a static standing position. The same anti-fatigue properties from our flooring can build a comfortable space from the ground up.

*The benefits of lower foot impact lead to less musculoskeletal fatigue, allowing hospital staff to work comfortably and safely.*

Important feature for: ● ● ● ●



# ACOUSTIC COMFORT

Mondo also understands the need for quiet spaces in healthcare. Studies expressly conducted to measure the impact hospital noise has on healing reveal the crucial role acoustics play in healing. Sleep disruption and stressors caused by noise have a direct and negative impact on a patient's heart rate, respiration and blood pressure, all of which increase stress levels and may impair recovery. Mondo's standard 3mm products carry the highest level of sound absorption in the resilient industry: 14dB and up to 21dB when using our X-elastic acoustical backing.

## FOR PATIENTS

Acoustics in hospitals are mission critical in terms of providing recovery areas where patients can rest and heal in peace and quiet. Flooring plays an integral role in the overall hospital experience from the patient's perspective. It is able to reduce ambient noise of nurse discussions and moving equipment. It contributes to making the patient's stay as comfortable and stress-free as possible offering them a positive environment aimed at rapid recovery.

## FOR HEALTHCARE WORKERS

Improving working conditions for nurses and lab personnel is extremely important. Some resilient and hard surfaces can make a space seem cavernous and cold, a design flaw easily remedied by sound absorbing flooring. For doctors and nurses, noise levels inhibit concentration levels and can cause increased fatigue and stress. A controlled environment will offer a more comfortable space for all hospital workers.

*A space with more intimate acoustics, where noise is not amplified or carried through hallways and patient rooms will make the environment increasingly comfortable for all users.*

Important feature for: ● ● ● ● ●



## HCAHPS

The Centers for Medicare and Medicaid Services initiated the HCAHPS survey in 2008 to assess consumer perception of healthcare provider's systems. Aside from consumer perception in comparing hospital quality measures, the HCHAPS survey has financial teeth. Medicare's payment system rewards providers for the quality of care they provide. Faced with the potential loss of money, hospitals must look to find ways to make their hospitals quieter environments for patients. One of the best methods for implementing baseline noise reduction in the patient's environment begins with the selection of flooring materials.





# INCREASED SAFETY



## WAYFINDING

Designing a wayfinding process is important for the patient's journey, as well as for their visitors. A patient's sense of competence is encouraged by making spaces easy to find, identify, and use without asking for help. Path and color-coding embedded in the flooring serve as excellent cues to ensure patients are traveling to the correct area. Evidence-based design will maximize clinical efficiencies without sacrificing patient safety, comfort and well-being.

Important feature for: ● ● ● ●

## HAI

The ongoing battle against Healthcare Associated Infections (HAI) is unfortunately a reality that all hospital facilities teams must face. The CDC estimates that 1 in 31 hospital patients will acquire an HAI every day. This translates to 1.7 million infections and 99,000 associated death each year - over \$10 billion in the United States, or about \$1 million per hospital.

Incidents of HAIs contracted in inpatient hospital settings are on the rise in hospitals. The solution to this alarming trend starts from the ground up. While choosing the finishes for patient rooms, ORs, ERs, exam rooms, nursing stations, corridors and labs, preference should be to materials that will actively and lastingly manage bacteria growth. During production, Mondo rubber is subjected to a high temperature vulcanization process that ensures a unified and non-porous construction that manifests into excellent inherent fungal, bacterial and microbial resistance throughout. There are no added antimicrobial agents or antimicrobial topical coatings that might fade through time, ensuring a lasting effect of our flooring property. Although flooring is listed as a noncritical environmental surface for infection transmission by the CDC, Mondo's flooring can actively participate in maintaining sanitary and safe installations.

Mondo's premium rubber flooring is dimensionally stable and does not require heat welding as our products do not contain any plasticizers. Commonly found in PVC materials, they cause shrinkage and cracks overtime. Mitigating the use of welding thread and maintaining the weld intact will have a positive overall impact.

## HAC

Healthcare Associated Conditions (HAC) are another part of hospital issues our flooring can help with. Mondo's products comply with ADA 302 Floor and Ground Surfaces, to provide a safe walking surface for both hospital staff and patients alike.

*\*To optimize infection control, it is advised that seams be welded.*

**Important feature for:** ● ● ●





# INCREASED DURABILITY

## MADE TO LAST

With proper maintenance and care, Mondo's premium rubber flooring has a lifespan that will surpass 30 years. We diligently use only the finest raw materials in the industry and are constantly improving manufacturing equipment, protocols and processes. The result of your investment in Mondo will stand for generations to come.

The age of our references is a testament to our durability and quality. Iconic projects such as the CHUQ Children's Hospital and the Notre-Dame Basilica both receive millions of users and visitors each year and are still beautifully performing decades after their installation. Our extensive healthcare reference list further displays our knowledge of the healthcare needs and demands.

Our Dual Durometer construction increases the longevity of our products as it allows us to modify our performance layer without compromising other key characteristics such as comfort and acoustics. Our performance layer is therefore thicker than most other resilient flooring. Perfect for withstanding heavy static and rolling loads common in the healthcare environment, it is also well adapted to high traffic areas where the intensive use tends to wear down other types of flooring, so your flooring will not only last, but will maintain its appearance. Mondo also engineers its adhesives and installations solutions to accommodate the rigors of innovative equipment, beds and the ICRA construction requirement.

<p><b>Harmoni 3mm - smooth surface</b> Full depth multicolored granules in performance layer.</p>  <p>1mm* 2mm</p> <p><b>Mondo Contract Flooring</b> <i>*Approximate thickness of the Wear Layer</i></p>	<p><b>3mm - smooth surface</b> Decorative wear layer with multicolored granules.</p>  <p>0.2mm* 2.8mm</p> <p><b>Other resilient flooring</b> <i>*Approximate thickness of the Wear Layer</i></p>
---	---

Important feature for: ● ● ● ● ●

**CHUQ | QUEBEC CITY, CANADA | 2004**

*In 2006, the facility added a new emergency unit. This project was subject to intensive research and consultation to select the best material. As a result, our flooring was chosen and has graciously endured thousands of steps every day, the rigorous maintenance ongoing in healthcare installations, along with every spills and liquids it has come in contact with.*



**NOTRE-DAME BASILICA | MONTREAL, QUEBEC | 1995**

*The Notre-Dame Basilica is a historic building situated in the heart of Old-Montreal. The work on the (then) Notre-Dame church began in 1672. Renovations and restorations have since maintained the historic building, and a Mondo flooring was installed to welcome the footsteps of a million visitors and parishioners each year.*





# SUSTAINABILITY

## FOR A BETTER WORLD - MONDO'S SUSTAINABILITY COMMITMENT

Mondo Contract Flooring meets the requirements for HH Safer Chemicals Challenge Level 4 commitment. Our rubber flooring does not contain polyvinyl chloride (PVC), phthalates (including DEHP), Perfluorinated compounds (PFCs), heavy metals (including mercury), formaldehyde, isocyanates, flame-retardants, antimicrobial agents, or any red listed ingredients (LBC Red List).

Mondo is committed to achieving the highest standards that respect both our ecosystem and the society around us. Strict controls on production and the prestigious international environmental certifications of our products are proof of our commitment to the environment. In 2010, we invested in the installation of 4,173 solar panels on our factory roof, reducing our CO<sub>2</sub> emissions by about 14,440 tons annually. And as of 2019, we can certify that the electricity used by our Italian manufacturing plant is 100% generated from renewable sources: wind, sun and water.

## CERTIFICATIONS

Mondo rubber flooring also significantly contributes to LEED credits, BREEAM certification, as well as compliance to many other sustainability programs. We carried out a thorough study on the analysis of the life cycle of our products through the Environmental Product Declaration (EPD) and opted for further transparency by completing Health Product Declarations (HPD). Our flooring is also approved by the Healthcare without Harm initiative.

*Note that Mondo uses premium virgin rubber within its formulations and does not rely primarily on recycled SBR rubber (car tires) which have been associated to carcinogen and fire-related concerns.*



ISO  
9000

ISO  
14001



Important feature for: ● ● ● ● ● ●



## INDOOR AIR QUALITY

VOCs (volatile organic compounds) are common in indoor environments with levels ranging from two to a thousand times higher than outdoors. Chemical emissions are the most harmful to Indoor Air Quality (IAQ) as they can contribute to a wide range of health issues. Babies and children, along with anyone who has an immune system deficiency or people living with various disabilities can be especially susceptible to adverse effects from VOCs. It's therefore easy to understand how VOCs should be minimized as much as possible in healthcare settings. Several certifications and standards exist to quantify the amount of VOCs emitted. The California standard C03150 is a benchmark for indoor air quality in North America, limiting 35 VOCs. The industry standard for resilient flooring is FloorScore, which is industry-owned and tests for the same 35 VOC as CA01350. All our flooring are GREENGUARD Gold certified, the highest-level third party VOC testing certification available for resilient flooring. GREENGUARD Gold tests for over 365 VOCs, a guarantee that the material will contribute to fewer emissions and a better indoor air quality. We have further gathered several international IAQ and sustainability certifications such as Geca, Blue Angel, French Decree and M1.



# MONDOSHIELD & MAINTENANCE

## MONDOSHIELD

Mondo's smooth commercial rubber flooring such as Granito, Harmoni, Kayar, Massetto, Natura, Uni and Dharma are all finished with Mondoshield. It is a factory applied polymeric surface treatment cured by ultraviolet (UV). Designed with longevity in mind, it is an integral part of Mondo's commercial smooth rubber flooring products. The factory surface treatment is low-gloss and will provide many added benefits, including increased resistance to wear and staining which will serve to reduce a facility's overall maintenance efforts.

## STRAIGHTFORWARD MAINTENANCE

Greater than 90% of the lifecycle costs of hospital and laboratory flooring can be attributed to the expense of cleaning and maintenance of the floors. Mondo premium rubber flooring does not require stripping, sealants or floor finishes or expensive accessories (such as diamond pads) and can be maintained using certified green cleaners and/or ionized/electrically converted water\*. As the required maintenance is less complex, it saves costs, is easy to train the maintenance personnel and can be adapted to the hospital's sanitary standards.

*\*(refer to specific product's maintenance guide for all instructions)*

## ROOM TURNOVER TIME

The inherent properties of Mondo rubber flooring for healthcare affords hospital EVS teams the opportunity to institute a room cleaning protocol that does not require heavy cleaning equipment or the use of chemicals or additives. A wet mop or scrubber with a basic 3M red pad and simple cleaning solution are all that are needed for rapid, inspection-ready room turnover and leading to more availability for healthcare facilities.

*As Mondo rubber flooring's maintenance and Mondoshield work together, your facility will both appear cleaner to patients and actively improve the sanitary condition of your facility.*

Important feature for: ● ● ● ●





# MONDOSHIELD & CHEMICALS

## INCREASED RESISTANCE TO CHEMICALS

Mondoshield provides an increased resistance to staining and is designed to be resistant to chemicals most often used in healthcare. Our flooring products are all tested per ASTM F925 (Standard Test Method for Resistance to Chemicals of Resilient Flooring), using the suggested list of standard chemicals. We can therefore demonstrate excellent resistance or effective cleaning regimens for chemicals such as betadine, calcium, crystal violet, iodine, blood, hematoxylin and safranin. Mondo has independently tested chemicals beyond that of standard in order to provide owners with a more comprehensive look at our products capabilities.

As a healthcare environment is one of constant movement and rapid activity, it is inevitable that spills will occur. Choosing a flooring that resists chemicals is paramount in this case. Patient rooms and dialysis centers particularly need to display a clean, tidy and well-maintained space in order to comfort their occupants.

*\*A full list of chemicals tested is available at the end of this brochure.*



Important feature for: ● ● ● ● ●



# FLASHCOVING

## INTEGRAL FLASH COVING

Integral flash coving is the process of turning a sheet of flooring upwards (usually 4" to 12" up) at the base of structural elements and walls, ensuring a monolithic surface for better infection control. Mondo's products construction and technology relies on its high integrity and malleability for a high resistance to cracking and puncturing; therefore, there is absolutely no need to use prefabricated flash-cove bases on our products.

## BETTER PROTECTION

Flash coving allows flooring to promote sanitary conditions, ease of maintenance and protection against accumulation of dirt, water and moisture that gather at the base of vertical structures. This area is hard to clean correctly and bacteria can accumulate and grow, which is particularly dangerous in operating rooms where all efforts must be made to avoid contamination. Moreover, as our products contain no fillers or plasticizers, they will maintain their resilience and will not crack when curved.

## PREFABRICATED FLASHCOVING

Prefabricated flashcoving systems are typically performed via third party entities. For any given project, the resilient material would be sent to the third party where it would be adhered to an aluminum sheet, bent to a specific angle, then shipped back for installation. The key promotional point of these systems is resistance to puncture and cracks at the cove. This system is necessary for resilient flooring that is brittle and increasingly prone to puncturing. Following are comparisons between integral coving vs. prefabricated coving:

- Extra-long seam at the base of the cove and at every interval of the prefabricated molding.
- The cost of the system, labor of extra seaming and freight to and from the supplier dramatically increases the cost of the project.
- Rigidity of the prefabricated bases usually does not contribute for a clean result at outside corners and often times creates visible gaps between base and walls.
- Possible dye-lot issues can occur.

Important feature for: ● ● ● ●



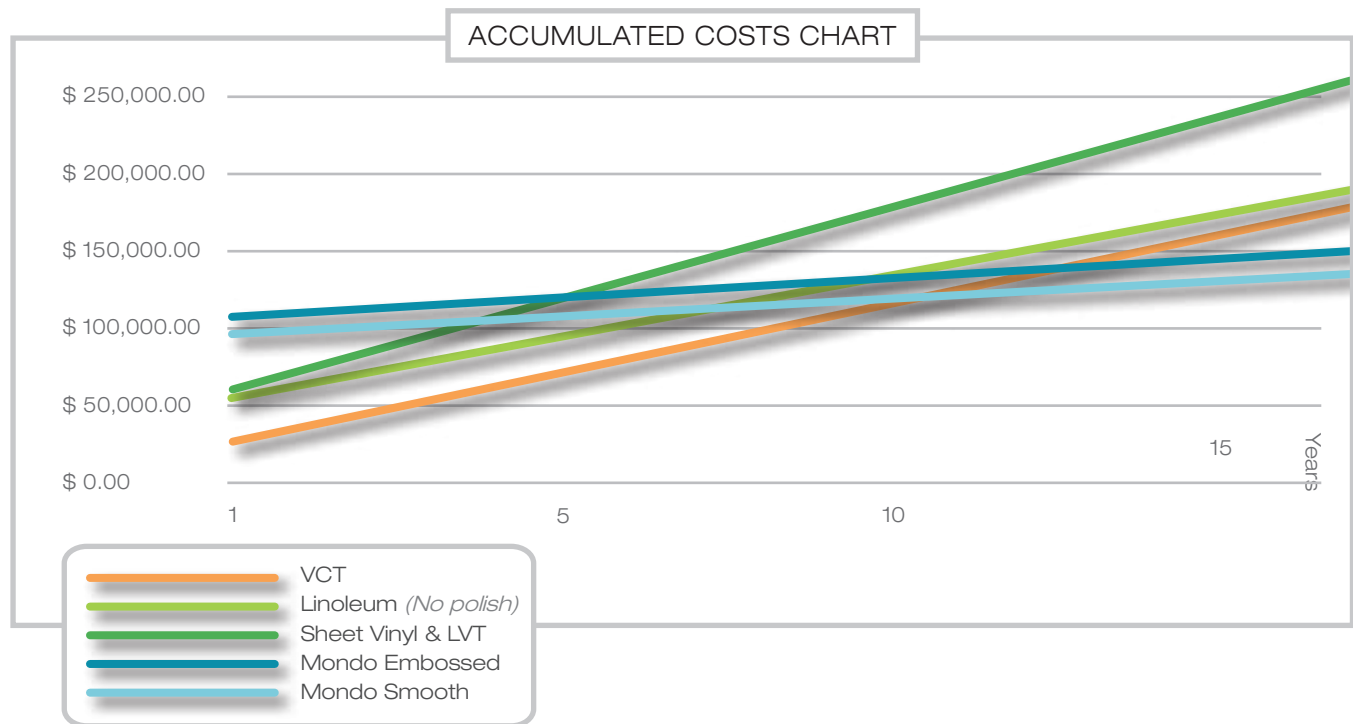


# WARRANTY & MATERIAL COSTS

## MONDO WARRANTY

Mondo is proud to offer a 15-year wear warranty on all our contract flooring materials. As our history demonstrates, we manufacture a quality product that becomes a long-term asset in healthcare environments.

We understand the reality of funding for state-of-the-art facilities, balancing the required features and standards against capital and operational costs. All, of course, without compromising on the quality of care. Mondo's premium line of rubber flooring can save money in both capital investment and long term operational costs that can range into the hundreds of thousands of dollars making it a financially responsible decision.



*\*Study based on labor times from the International Sanitary Supply Association (ISSA)'s publication "612 Cleaning Times".*



# CERTIFIED INSTALLATION

## A COMPETENT TEAM

Contractors and installers are strong contributors to the success of our flooring's performance as well. How easily a product seams together, speed of installation and amount of product waste are all important to review with the flooring contractor. Mondo has developed long-term relationships with qualified professionals who will ensure that installation procedures are adhered to for the best possible end result.

## INSTALLATION CERTIFICATION PROGRAM

We take pride in our Contract Installation Training & Certification programs, which have been completed by hundreds of professionals. Our training regimen pushes the limits of candidates' knowledge and installation proficiency. Attendees must pass practical and theoretical tests in order to gain their title of Mondo Master Mechanic. They gain hands-on, product-specific experience and get to exchange with other professionals in their trade to become proficient Mondo installers.

We maintain records of installers' credentials and hold several certification classes each year. Therefore, Mondo is able to provide references, or training when necessary in order to help ensure a high-quality installation for every project.



# Case Study

WOMEN'S HEALTH COLLEGE HOSPITAL | TORONTO, ONTARIO | HARMONI



Women's College Hospital is a newly completed 600,000 square foot state-of-the-art facility and Canada's leading independent, academic, ambulatory care hospital with a primary focus on the health of women. With a staff of over 800, including 546 physicians, 300 nurses and allied health professionals, plus 100 researchers and scientists, the WCH handled over 300,000 ambulatory care visits after the completion of Phase 1 in 2015 and that number is growing.

"The new Women's College Hospital began its development in 2006 with preliminary designs and the first phase was completed in May 2013," says David Hope, director of redevelopment. The final completion of the new hospital was celebrated in

the spring of 2016. Hope says with all the design considerations in the building, it was important to find a flooring option that could address issues such as acoustics, maintenance and under-foot comfort for staff who work long hours. "Being a P3 project, we couldn't be specific about one product over the other, but rubber met the specifications we put in our requirements," he says.

Before purchasing any products, Hope and his staff created mock-ups of different flooring options. "Mondo sheet flooring was used in this installation because it gave a clean look and made for easy maintenance. After all considerations, Mondo came out on top for a number of reasons.



Photographs by Ben Rahn/A-Frame Inc.

The project has been a seven year duration to date including the competition stages and although there have been challenges due to many constraints, Women's College Hospital has been the project of a lifetime for those invested in its trajectory. "Designing spaces involved consideration for the many aspects of patient demographics and medical issues, with a focus on improving the health and lives of women and their families," says Heather McPherson, executive vice president, patient care and ambulatory innovation.

McPherson says the mandate is to create innovative health system solutions to keep complicated medical patients out of the hospital, to provide evidence to show that these innovations work, and then share these models with others across the country. "So far this is working as multiple care areas have developed radically new ways to manage care and work with patients toward a deeper quality of life. The goal is to help to reduce emergency room use and resulting admissions and readmissions within the system as a whole.

*"...it was important to find a flooring option that could address issues such as acoustics, maintenance and underfoot comfort for staff who work long hours."*

"It was important to achieve an understanding and expectation of wellness from the approach to the site", Susan Black, principal and director at Perkins Eastman Black Architects explains. "Clarity is evident in the L-shaped building which houses clinical, surgery and diagnostic zones, administrative, research and foundation functions, and embraces a lower, transparent pavilion on the south-west side," says Black. The heart of the pavilion – a sanctuary inspired by 1,000 women with its sense of softness and organic interior – forms a contrast to the background L-shape.

She adds that their color palette was designed to incorporate colors mimicking nature punctuated with way finding colour cues that worked well with the neutrals in Mondo flooring. In the rehab gym area of the hospital, Mondo Sport Impact sport flooring was installed to accommodate the exercise routines. Using various colours, Mondo Harmoni was installed in over 300,000 square feet of the hospital. Environmental sustainability was another key factor in the project. In keeping with the LEED Silver requirements, the Women's College Hospital has incorporated drought resistant vegetation, electric vehicle recharging stations, bird friendly glazing and 39 percent reduction in energy consumption.







FLOORING: Harmoni  
AREAS INSTALLED: Rooms, Hallways, Rehab gym  
SQUARE FOOTAGE: 300,000 sq. ft.  
ARCHITECTS: Perkins Eastman Black, IBI Group Architects



© J. W. Filipowski of Guy Call Associates, Inc.

<b>MONDO CHEMICAL RESISTANCE TESTING (ASTM F925)</b> <i>60 Chemical Dwell Time - Results observed after 24 hrs</i>									
	GRANITO	HARMONI	KAYAR	LAVA	MASSETTO	NATURA	TERRANOVA	UNI	ZEUS
ACETIC ACID (5%) <i>White Vinegar</i>	0	SD1	0	0	0	0	0	0	SD1, CC1
AMMONIA (5%)	0	0	0	0	0	0	0	0	SD1, CC1
BLEACH (5.25%) <i>Household Bleach</i>	0	0	CC1	0	0	0	0	0	0
GASOLINE	0	0	0	0	0	0	SD1, CC1	0	0
HYDROCHORIC ACID (5%)	0	0	0	0	0	0	0	0	SD1, CC1
ISOPROPYL ALCOHOL <i>(70%) Rubbing Alcohol</i>	0	0	0	0	0	0	0	0	0
KEROSENE	0	0	0	0	0	0	SD1, SA1, CC1	0	SD1, SA1, CC1
MINERAL OIL	0	0	0	0	0	0	0	0	0
OLIVE OIL	0	0	0	0	0	0	0	0	0
PHENOL (5%)	0	SD1	0	0	CC1	0	0	0	0
SODIUM HYDROXIDE (5%)	0	0	0	0	SD1	SD1	0	0	0
SULFURIC ACID SOLUTION (5%)	0	0	0	0	0	0	CC1	0	SD1, CC1

0 = No Reaction observed  
1 = Slight - passes

2 = Moderate - Doesn't pass  
3 = Severe - Doesn't pass

SD = Surface Dulling  
SA = Surface Attack (swelling)  
CC = Color Change

